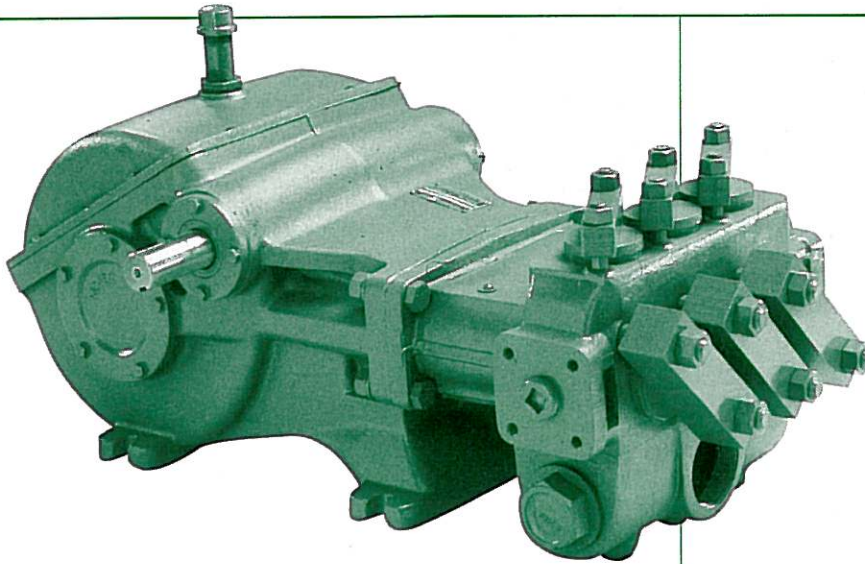


# D35-12, D65-16, D65-20

High Pressure  
Reciprocating Pumps



Over a century of experience has proven one thing: Myers designs and builds pumps you can rely on. The proof is in performance. And Myers' D Series high pressure reciprocating pumps perform under pressure for a long time.

The D Series combines Myers manufacturing expertise and understanding of applications to provide a pump that is perfect for every high pressure job. At Myers, we know what you need and we deliver.

## D35-12 Triplex

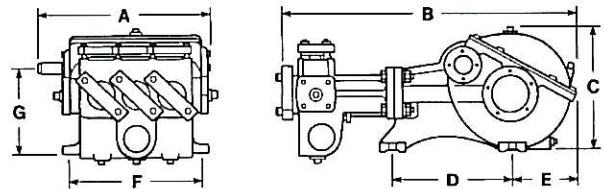
A high strength fluid end with spring-loaded flat valves for pumping large volumes of water under high pressures (to 1200 psi). Handles liquids up to 160°F in mines, mills, food processing, and car/truck washes.

## D65-16 Triplex

This pump's large 65 GPM volume of flow at up to 1600 PSI makes it perfect for sewer blasting as well as extra heavy duty industrial and marine cleaning. The compact, powerful design is also right for strata loosening, long distance pumping in coal mines and oil fields, and large vehicle cleaning.

## D65-20 Triplex

This is a high-volume, high-pressure piston pump. Can't be beat for hydraulic blasting and cleaning, sewer cleaning, fire truck, injection, hydrostatic testing. Built rugged for dependable service in many exacting industrial high pressure applications.



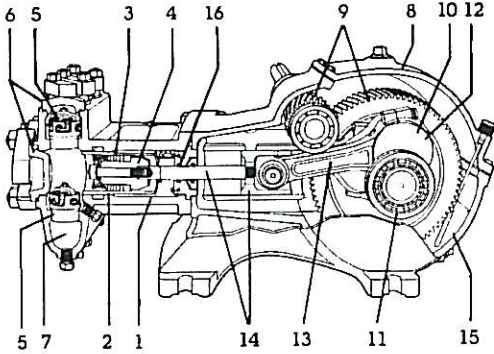
## SPECIFICATIONS

Catalog Number	Maximum Rated Pressure PSI (BAR)	Maximum Rated Capacity GPM (LPM)	Gear Reduction Ratio	Temperature Rating °F (°C)	Size in Inches (Millimeters)							Weight Lbs. (KG)	Dimensions in Inches (Millimeters)						
					Cylinder Bore	Piston Stroke	Suction Size (NPT)	Discharge Size (NPT)	Input Shaft	Keyway	A		B	C	D	E	F	G	Diameter of Mounting Hole
D35-12 Triplex	1200 83	35 132.49	3.39 to 1	160 71	2.000 50.80	2.875 73.03	2 50.80	1¼ 31.75	1½ 41.3	¾ x ¾ 9.53 x 4.76	410 186	19.5 495.3	31 787.4	13.25 336.55	12.5 317.5	7 177.8	14 355.6	9.5 241.3	.75 19.05
D65-16 Triplex	1600 110	65 246.05	3.95 to 1	160 71	2.125 53.98	3.750 95.25	3 76.20	1¼ 31.75	1½ 41.3	¾ x ¾ 9.53 x 4.76	525 238	21 533.4	36.25 920.75	17 431.8	14 355.6	7.5 190.5	16 406.4	10.38 263.65	.75 19.05
D65-20 Triplex	2000 138	65 246.05	3.95 to 1	160 71	2.000 50.80	3.750 95.25	3 76.20	1¼ 31.75	1½ 41.3	¾ x ¾ 9.53 x 4.76	525 238	21 533.4	36.25 920.75	17 431.8	14 355.6	7.5 190.5	16 406.4	10.38 263.65	.75 19.05

WHERE INNOVATION MEETS TRADITION

# D35-12, D65-16, D65-20

High Pressure  
Reciprocating Pumps



## FLUID-END COMPONENTS

1. Cylinder body of high-strength ductile iron or aluminum-bronze for salt water applications.
2. Cylinders are tapered steel shells with super-smooth, hard K-ramic coating. Easily replaceable.
3. Packing: Buna-N & cotton duck multi-clip V-ring supported by a phenolic follower (bronze on D65-20).

4. Piston assembly: Stud, pressure ring, spring, retainer and cap screw are all solid stainless steel.
5. Valve assemblies (two types depending on use). Spring-loaded flat valves have stainless steel seats, springs and valves with long-wearing bronze spring retainer and valve cage. Optional stainless steel center post-type feature Delrin valves. (Standard on D65-20)
6. Valve & cylinder caps of tough cast iron (D65 cylinder caps are steel) with Buna-N O-ring seals. Caps are rigidly held in place by removable steel clamps.
7. Suction & discharge located for easy service. Large threaded suction openings on sides and/or front. Discharge openings are flanged and tapped.

## POWER-END COMPONENTS

8. Gearcase of rugged cast iron protects the gears and serves as oil reservoir for continuous lubrication. Cover section quickly removable for easy service.

9. Pinion & main gear are helical cut and machined from high-strength alloy steel, and can rotate in either direction. Integral pinion shaft is also machined from high-strength alloy steel.
10. Automotive type crankshaft is forged from alloy steel.
11. Shaft bearings feature tapered roller bearings.
12. Crankshaft journal bearings are automotive type, steel-backed inserts.
13. Connecting links are cast iron (D35) or ductile iron with replaceable bronze wrist-pin bearings. Wrist pins are press-fitted into the crossheads.
14. Crossheads/piston "pony" rods: Heavy-duty ductile iron crossheads "pony" rods are smoothly-ground and highly-polished stainless steel, threaded and pinned axially to crosshead.
15. Continuous splash lubrication is provided during either direction of rotation.
16. Oil seals for "pony" rods are designed for quick and easy replacement without removing the fluid end.

## HORSEPOWER REQUIREMENTS

### D35-12

GPM	RPM	Horsepower Required For:			
		600 PSI	800 PSI	1000 PSI	1200 PSI
28.0	825	11.9	15.5	18.4	21.0
31.4	925	13.3	17.0	20.3	23.5
34.7	1025	14.9	18.9	23.0	27.0
36.3	1075	15.7	20.5	25.2	30.0

### D65-16

GPM	RPM	Horsepower Required For:			
		1000 PSI	1200 PSI	1400 PSI	1600 PSI
45.7	1112	32.5	39.0	45.5	52.0
51.3	1247	36.5	43.8	51.1	58.4
59.4	1446	42.3	50.8	59.3	67.7
61.2	1490	43.6	52.3	61.1	69.8
64.5	1570	46.0	55.2	64.3	73.5

### D65-20

GPM	RPM	Horsepower Required For:				
		1000 PSI	1200 PSI	1600 PSI	1800 PSI	2000 PSI
36.9	1000	24.4	29.2	38.2	42.7	47.3
44.1	1200	29.3	34.7	45.7	51.2	55.8
51.0	1400	33.5	39.8	52.6	58.8	65.1
57.3	1600	38.6	45.4	59.1	66.3	73.4
64.5	1800	44.0	51.4	66.8	74.9	82.6

## KILOWATT REQUIREMENTS

### D35-12

LPM	RPM	Kilowatts Required For:			
		41 BAR	55 BAR	69 BAR	83 BAR
105.98	825	8.87	11.56	13.72	15.66
118.85	925	9.92	12.68	15.14	17.52
131.34	1025	11.11	14.09	17.15	20.13
137.40	1075	11.71	15.29	18.79	22.37

### D65-16

LPM	RPM	Kilowatts Required For:			
		69 BAR	83 BAR	97 BAR	110 BAR
172.97	1112	24.24	29.08	33.93	38.78
194.17	1247	27.22	32.66	38.11	43.55
224.83	1446	31.54	37.90	44.22	50.48
231.64	1490	32.51	39.00	45.56	52.05
244.13	1570	34.30	41.16	47.95	54.81

### D65-20

LPM	RPM	Kilowatts Required For:				
		69 BAR	83 BAR	110 BAR	124 BAR	138 BAR
139.67	1000	18.20	21.77	28.49	31.84	35.27
166.92	1200	21.85	25.88	34.08	38.18	41.61
193.04	1400	24.98	29.68	39.22	43.85	48.55
216.88	1600	28.78	33.87	44.07	49.44	54.73
244.13	1800	32.81	38.33	49.81	55.85	61.59

K3148 7/00  
Printed in U.S.A.



# Myers®

Pentair Pump Group

F. E. Myers, 1101 Myers Parkway, Ashland, Ohio 44805-1969  
419/289-1144, FAX: 419/289-6658, www.femyers.com

Myers (Canada), 269 Trillium Drive, Kitchener, Ontario N2G 4W5  
519/748-5470, FAX: 519/748-2553