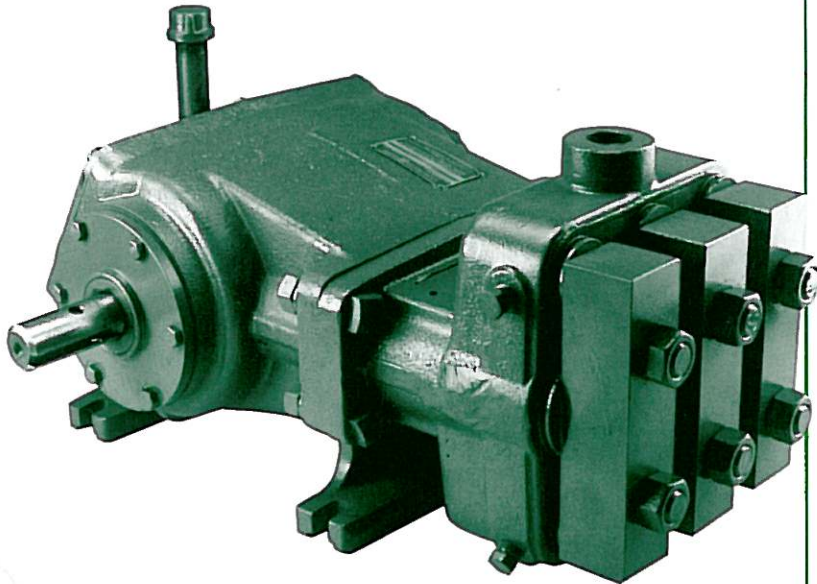


# C35-20

High Pressure  
Reciprocating Piston Pump



## ADVANTAGES BY DESIGN

### HANDLES WIDE RANGE OF DEMANDING INDUSTRIAL APPLICATIONS.

- High-strength fluid end and spring-loaded flat valves for high pressure pumping (up to 2,000 PSI) of large water volumes.
- Pumps liquids to 180°F in mine, mill, food processing, car wash, sewer cleaner and other applications.

## HORSEPOWER PERFORMANCE DATA

Flow Cap.	RPM	Horsepower Required For:							
		600 PSI	800 PSI	1000 PSI	1200 PSI	1400 PSI	1600 PSI	1800 PSI	2000 PSI
19.5	375	8.0	10.7	13.4	16.1	18.7	21.4	24.1	26.8
24.6	475	10.1	13.5	16.9	20.3	23.6	27.0	30.4	33.8
29.8	575	12.3	16.4	20.5	24.5	28.6	32.7	36.8	40.9
35.0	675	14.4	19.2	24.0	28.8	33.6	38.4	43.2	48.0

## KILOWATT PERFORMANCE DATA

Flow Capacity	RPM	Kilowatts Required For:							
		41 BAR	55 BAR	69 BAR	83 BAR	96 BAR	110 BAR	124 BAR	138 BAR
73.8	375	6.0	8.0	10.0	12.0	13.9	16.0	18.0	20.0
93.1	475	7.5	10.1	12.6	15.1	17.6	20.1	22.7	25.2
112.8	575	9.2	12.2	15.3	18.3	21.3	24.4	27.4	30.5
132.5	675	10.7	14.3	17.9	21.5	25.1	28.6	32.2	35.8

- Horsepower required is based upon 85% overall efficiency.
- Formula: (1) HP required =  $\frac{\text{GPM} \times \text{PSI}}{1457}$  or  $\text{KW} = \frac{\text{LPM} \times \text{BAR}}{511}$  (electric brake)
- (2) Expected GPM =  $\frac{\text{Rated GPM} \times \text{Working RPM}}{\text{Rated RPM}}$

$$\text{Expected LPM} = \frac{\text{Rated LPM} \times \text{Working RPM}}{\text{Rated RPM}}$$

$$\text{Motor shieve} = \frac{\text{Pump shieve} \times \text{Pump RPM}}{\text{O.D. size} \times \text{Motor RPM}}$$

NOTE: Horsepower requirements for an internal combustion engine (gas or diesel) may be obtained by multiplying the figures listed by 1.3. Do not exceed 80% of the manufacturer's advertised horsepower at operating RPM.

**OVER A CENTURY OF EXPERIENCE HAS PROVEN THAT MYERS** designs and builds pumps with performance you can rely on. Our C35 high pressure reciprocating pump combines manufacturing expertise and application understanding for a pump that is perfect for a variety of high pressure jobs. For details, contact your Myers representative, or the Myers Ohio sales office at 419/289-1144.

## PRODUCT CAPABILITIES, SPECIFICATIONS

Catalog Number	Max. Rated Capacity GPM (LPM)	Max. Rated Pressure PSI (Bar)	Temp. Rating °F (°C)	SIZE IN INCHES (mm)						Approx. Wgt. Lbs. (kg)
				Cylinder Bore	Piston Stroke	Suction Size NPT	Discharge Size NPT	Input Shaft	Keyway	
C35-20 Triplex	35 (132.49)	2000 (138)	180 (82)	1 <sup>3</sup> / <sub>4</sub> (44.45)	1 <sup>3</sup> / <sub>4</sub> (44.45)	1 <sup>1</sup> / <sub>2</sub> (38.1)	1 (25.4)	1 <sup>3</sup> / <sub>8</sub> (34.93)	<sup>5</sup> / <sub>16</sub> × <sup>5</sup> / <sub>32</sub> (7.94 × 3.97)	230 (104.2)

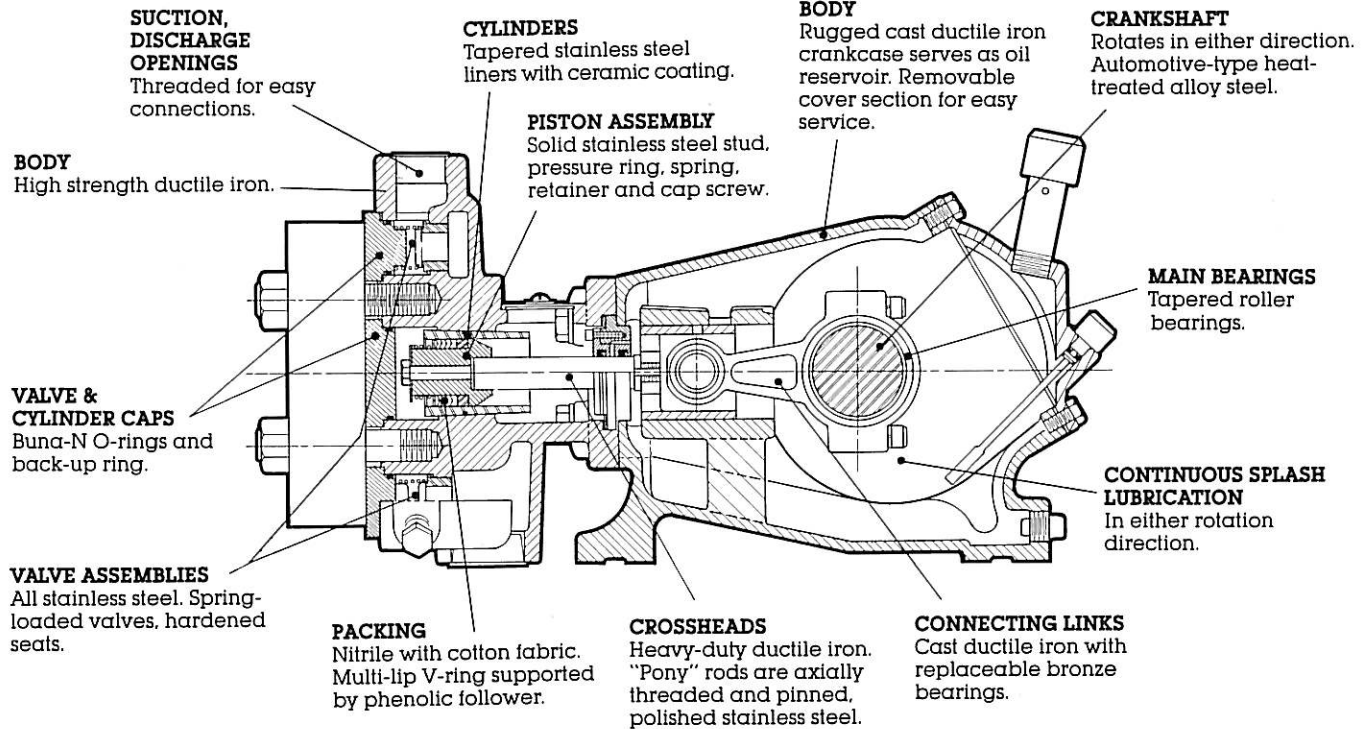
WHERE INNOVATION MEETS TRADITION

# C35-20

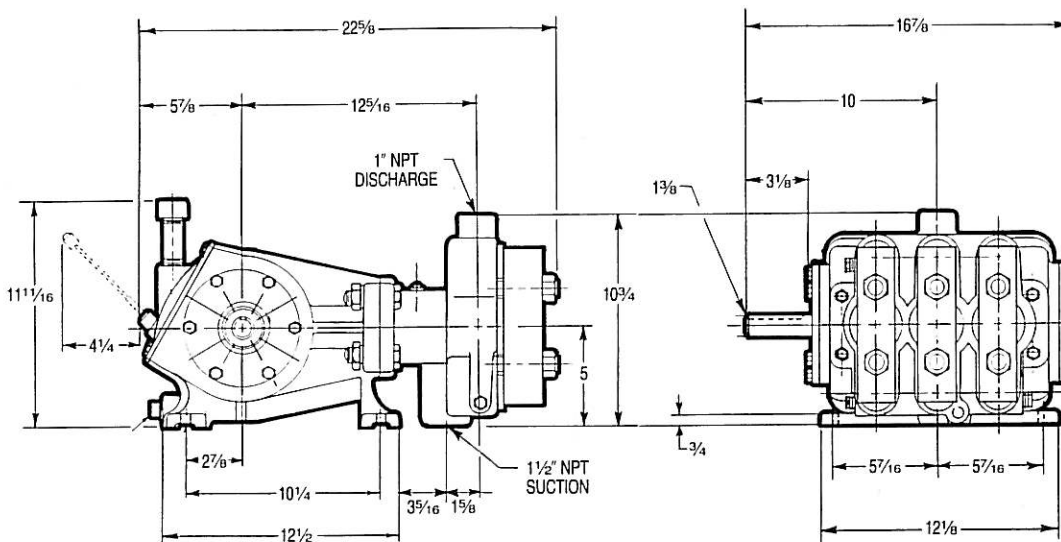
High Pressure  
Reciprocating Piston Pump

## FLUID END

## POWER END



## DIMENSIONS



K3241 6/99  
Printed in U.S.A.

**Myers**<sup>®</sup>  
Pentair Pump Group

F. E. Myers, 1101 Myers Parkway, Ashland, Ohio 44805-1969  
419/289-1144, FAX: 419/289-6658, www.femyers.com  
Myers (Canada), 269 Trillium Drive, Kitchener, Ontario N2G 4W5  
519/748-5470, FAX: 519/748-2553

